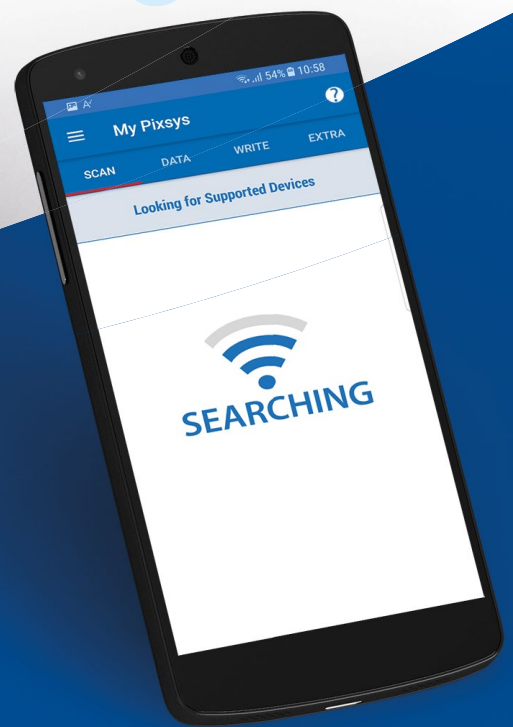


# ATR144

## Blue line



Programmable by RFID /NFC  
No wiring required!



Powerful display, interactive text messages  
On-line programming Help  
Dynamic smart Tune

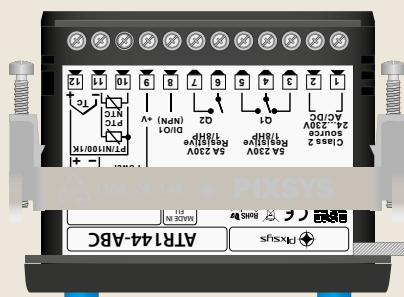
### Pixsys srl

Via Po 16, I - 30030 Mellaredo di Pianiga VE  
Ph. +39 041 519 0518 • Fax +39 041 519 0027

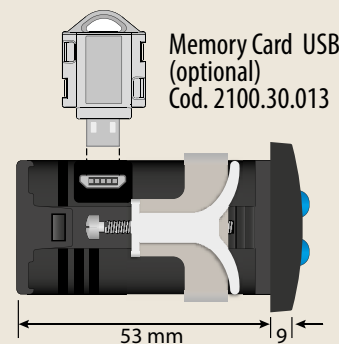
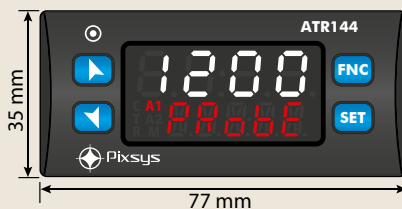
www.pixsys.net - sales@pixsys.net



Frontal panel cut-out  
Dima di foratura  
28.5 x 70.5 mm





Suggested thickness  
Spessore suggerito  
2 ÷ 8 mm



Memory Card USB  
(optional)  
Cod. 2100.30.013

## Main features

BOX	32x74 (front panel) x 53 mm
POWER SUPPLY	24..230 V AC / DC ±15% 50/60 Hz - galvanical isolation 2,5KV
POWER CONSUMPTION	5 W
DISPLAY	4 digits 0,38" white + 5 digits 0,28" red
OPERATING CONDITIONS	Temperature 0-45 °C, humidity 35..95 RH%
MATERIAL	Box: PC UL94V2 self-extinguishing, front panel: PC UL94V2
WEIGHT	Approx. 120 g
SEALING	IP65 (front panel) IP20 (box and terminal bloks)
QUICK SET-UP OPTIONS	Memory Card, software LABSOFTVIEW, or EASY-UP codes
"MyPixsys" APP	Device setup via NFC for Android smartphone  Via BT-NFC (2000.35.099) for iOS smartphone 

## Input

1 CONFIGURABLE	Res. 16 bit, selectable for TC type K, S, R, J, T, N, B (automatic compensation of the cold junction -25..85°C, ±0,2% F.S. ±1 digit F.S.), thermoresistances PT100, PT500, PT1000, Ni100, PTC1K, NTC10K (β 3435K), process signals 0..10 V (50000 points), 0/4..20mA (40000 points), 0..60 mV (25000 points), potentiometer 1..150 KΩ (50000 points)
SAMPLING TIME	Programmable up to 2,1 ms (frequency up to 470 Hz)
1/2 DIGITAL INPUTS	Setpoint change, Hold, Run, Tuning launch, Start / Stop, Lock configuration

## Outputs

1/2 RELAYS	Relay 5 A - 250 V AC resistive charge
1 DIGITAL OUTPUT	12 V DC - 25 mA max
SERIAL COMMUNICATION	RS485 Modbus RTU - Slave (4800..115200 baud code-T)

## Software features

CONTROL ALGORITHMS	ON - OFF with hysteresis, P, P.I., P.I.D., P.D. time proportioned
TUNING	Manual or automatic
DATA PROTECTION	Lock of control / alarm setpoint / Access to parameters by password
ALARM MODES	Absolute / Threshold, Band, High / Low deviation. Alarm with optional manual reset. Loop Break Alarm function
AUTO / MANUAL FUNCTION	Output percentage command also with automatic change in case of sensor failure
DOUBLE P.I.D.	Heating / Cooling P.I.D.
SOFT-START	Rising gradient expressed as Degrees / Hour or fixed output percentage
OPEN / CLOSE LOGIC	Open / Close logic for motorized valves

## Ordering codes

ATR144-ABC	1 Analogue Input + 2 Relays 5 A + 1 Digital Input / Digital Output
ATR144-ABC-T	1 Analogue Input + 1 Relay 5 A + 1 Digital Input / Digital Output + RS485